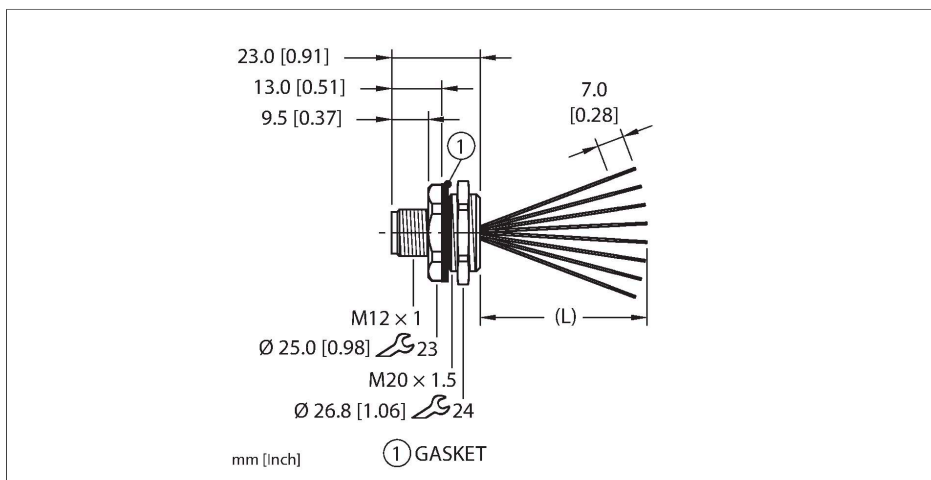


EFSVT-A8.800.4-x

Actuator and Sensor Receptacle – Front Mount



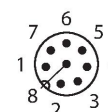
Features



- M12, Male, Receptacle, Front mount, 8-pin
- Mounting thread: M20 × 1.5

Contact assignment

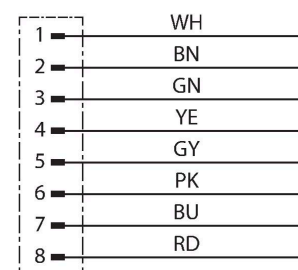
Connector A



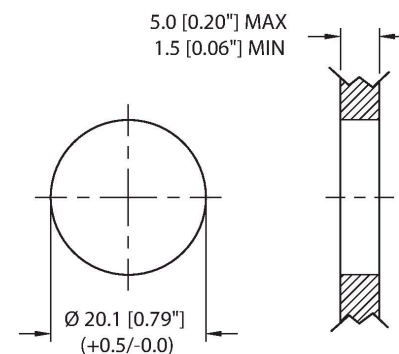
Technical data

| | |
|---------------------------------|---|
| Type | EFSVT-A8.800.4-x |
| ID | 777046654 |
| Replaces | FSV 8-x/M20 |
| Connector A | Male, M12 × 1, A-code |
| Design specification | Acc. to IEC 61076-2-101 |
| Number of contacts | 8 |
| Contacts | Bronze, CuSn, Gold-plated |
| Contact carriers | Plastic, TPU, Black |
| Housing material/finish | Stainless Steel, 1.4401 (AISI 316), Passivated |
| Tightening torque (range) | 0.4 ... 1.8 Nm (note max. torque of mating connector!) |
| Mounting orientation | Front mount |
| Panel seal | Gasket, NBR |
| Mounting thread | M20 × 1.5 |
| Locknut | Stainless Steel, 1.4401 (AISI 316), Passivated |
| Receptacle mounting torque | 3.5...9.6 Nm |
| Mechanical life | > 100 Mating cycles |
| Pollution degree | 3 |
| Protection class (When coupled) | IP67, IP68, IP69, IP69K NEMA: 1, 3, 4, 4X, 6P, 12 |
| Total number of conductors | 8 |
| Conductor material | TC (tinned copper) |
| Conductor insulation material | PVC |

Circuit Diagram



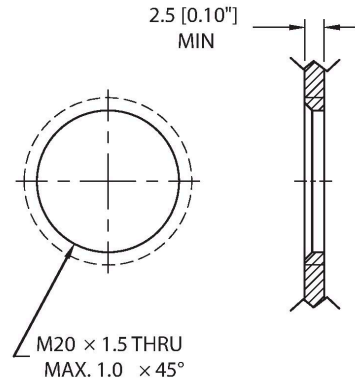
Mounting hole - Through



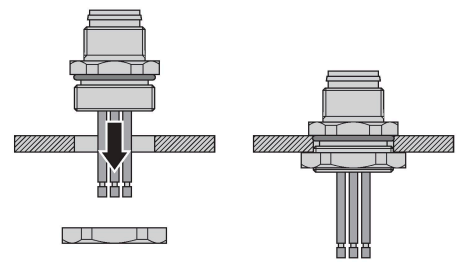
Technical data

| | |
|--|--|
| Conductor size | 24 AWG [Similar to 0.25 mm ²] |
| Conductor colors | WH, BN, GN, YE, GY, PK, BU, RD |
| Electrical properties at +20 °C | |
| Rated voltage | 60 V _{AC} /75 V _{DC} |
| Current | 3 A |
| Mechanical and chemical properties | |
| Ambient temperature range (static) | -40 °C...+105 °C |
| Approvals | UL 2238 CSA C22.2 No. 182.3 CE UKCA RoHS |
| Note | |
| - We reserve the right to make technical alterations without prior notice. | |

Mounting hole - Threaded



Front panel mounting



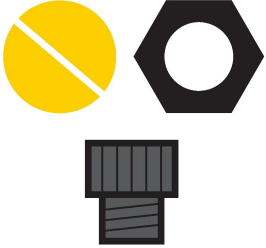
Accessories

DECAL,9-CLRS,RECEPT+BOXES,EURO(QTY1) 100008955

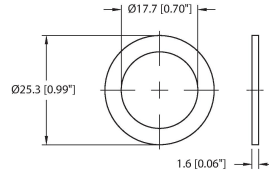
1 decal sticker containing 9 different color sets of 11 decals to color code a sensor, junction block port, cable end, or receptacle. 5ct 4x9mm rectangles, 4ct 8x19mm rectangles, 1ct 27mm ID ring, 1ct 20mm ID ring.

EFSVT-A8.800.4-x | 07/25/2023 22-33 | technical changes reserved

Accessories

LOCKNUT-M20-316SS-(10/BAG)**A9194**

Locknut, M20, 316 Stainless Steel, 10 per bag

M12-GASKET-M20,1/2NPT-(10/BAG)**100024930**

Gasket, Black NBR, Fits M20 and 1/2NPT mounting threads, 10 per bag