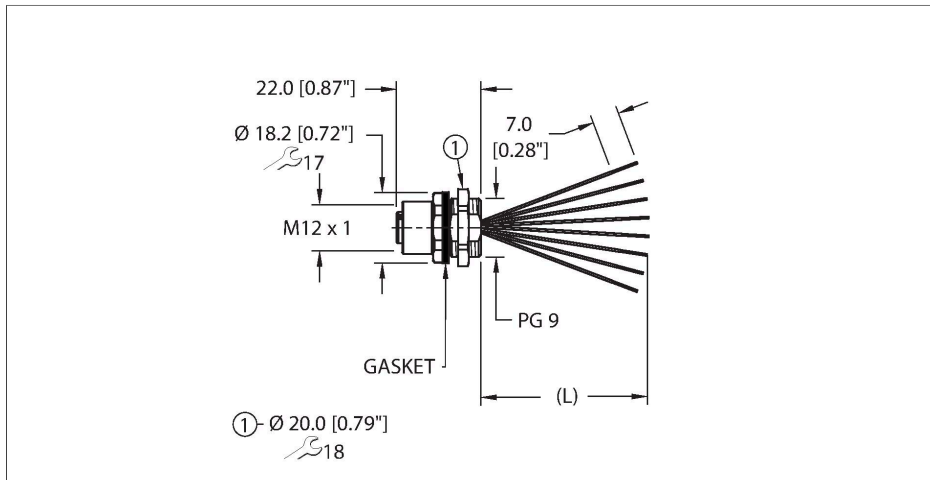


EFKVG-A8.800.4-x

Actuator and Sensor Receptacle – Front Mount



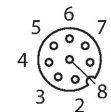
Features



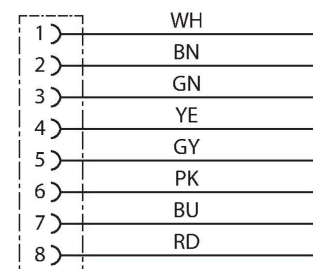
- M12, Female, Receptacle, Front-mount, 8-pin
- Mounting thread: PG9

Contact assignment

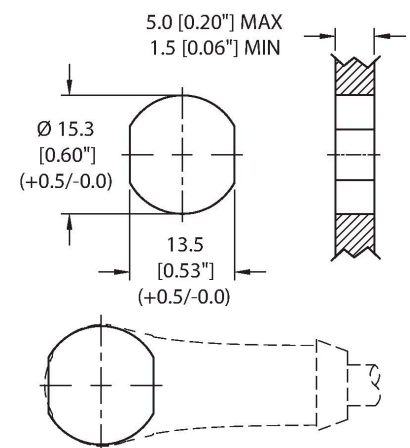
Connector A



Circuit Diagram



Mounting hole - Through



Technical data

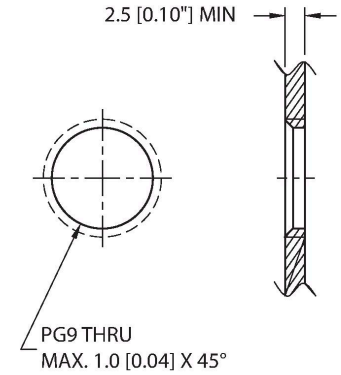
Type	EFKVG-A8.800.4-x
ID	777046928
Replaces	FKV 8.8-x
Connector A	Female, M12 × 1, A-code
Design specification	Acc. to IEC 61076-2-101
Number of contacts	8
Contacts	Brass, CuZn, Gold-plated
Contact carriers	Plastic, TPU, Black
Connector seal	O-ring, Plastic, FKM/FPM
Housing material/finish	Stainless Steel, Passivated
Tightening torque (range)	0.4 ... 1.8 Nm (note max. torque of mating connector!)
Mounting orientation	Front mount
Panel seal	Gasket, NBR
Mounting thread	PG9
Locknut	Stainless Steel, CuZn, Passivated
Receptacle mounting torque	2.5...6.8 Nm
Mechanical life	> 100 Mating cycles
Pollution degree	3
Protection class (When coupled)	IP67, IP68, IP69, IP69K NEMA: 1, 3, 4, 4X, 6P, 12
Total number of conductors	8
Conductor material	TC (tinned copper)
Conductor insulation material	PVC

EFKVG-A8.800.4-x | 06/09/2023 15-12 | technical changes reserved

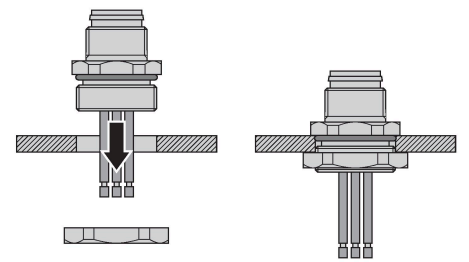
Technical data

Conductor size	24 AWG [Similar to 0.25 mm ²]
Conductor colors	WH, BN, GN, YL, GY, PK, BU, RD
Electrical properties at +20 °C	
Rated voltage	60 V _{AC} /75 V _{DC}
Current	3 A
Mechanical and chemical properties	
Ambient temperature range (static)	-40 °C...+105 °C
Approvals	UL 2238 CSA C22.2 No. 182.3 CE UKCA RoHS
Note	
- We reserve the right to make technical alterations without prior notice.	

Mounting hole - Threaded



Front panel mounting



Accessories

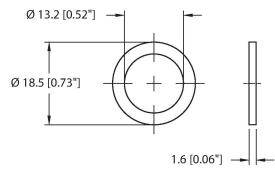
LOCKNUT-PG9-316SS-(10/BAG) A9583
 Locknut, PG9, 316 Stainless Steel, 10 per bag

FK(S)FD-TOOL A2550
 Tool, knockout hole punch, receptacle-mounting hole. Accommodates PG9 threads.

DECAL,9-CLRS,RECEPT+BOXES,EURO(QTY1) 100008955
 1 decal sticker containing 9 different color sets of 11 decals to color code a sensor, junction block port, cable end, or receptacle. 5ct 4x9mm rectangles, 4ct 8x19mm rectangles, 1ct 27mm ID ring, 1ct 20mm ID ring.

ORING-Ø7x1.5-M12-(10/BAG) 100024937
 10 pack of Ø7x1.5 FKM O-rings for female M12 connectors

Accessories

M12-GASKET-PG9,M16,1/4NPT-(10/BAG)**100015009**

Gasket, Black NBR, Fits PG9, M16 and 1/4NPT mounting threads, 10 per bag