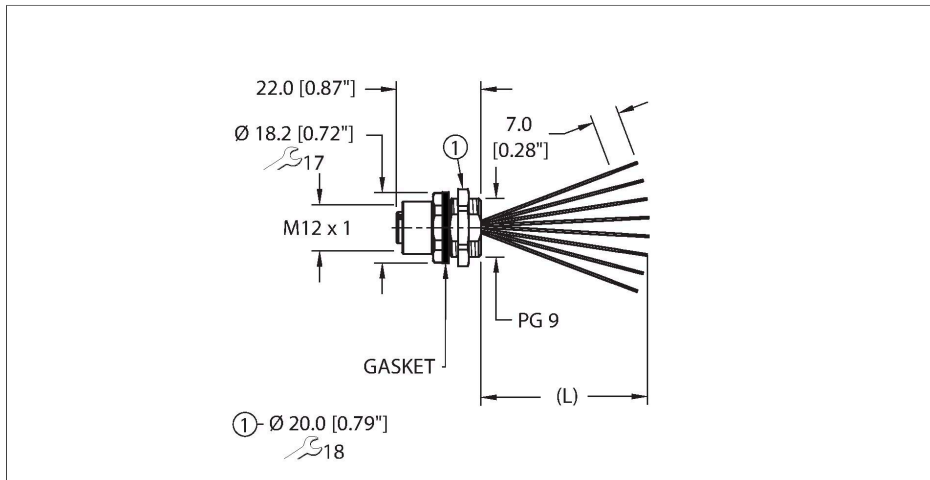


EFKVQ-A8.800.4-x

Actuator and Sensor Receptacle – Front Mount



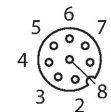
Features



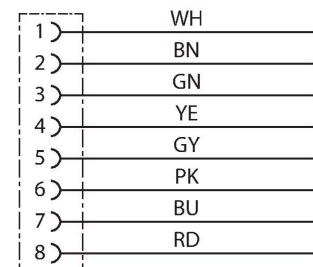
- M12, Female, Receptacle, Front-mount, 8-pin
- Mounting thread: 1/4"-18 NPT

Contact assignment

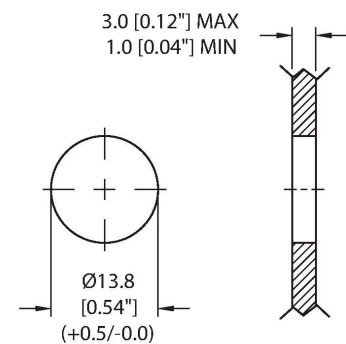
Connector A



Circuit Diagram



Mounting hole - Through



Technical data

Type	EFKVQ-A8.800.4-x
ID	777046931
Replaces	FKV 8.8-x/18.25
Connector A	Female, M12 × 1, A-code
Design specification	Acc. to IEC 61076-2-101
Number of contacts	8
Contacts	Brass, CuZn, Gold-plated
Contact carriers	Plastic, TPU, Black
Connector seal	O-ring, Plastic, FKM/FPM
Housing material/finish	Stainless Steel, CuZn, Passivated
Tightening torque (range)	0.4 ... 1.8 Nm (note max. torque of mating connector!)
Mounting orientation	Front mount
Panel seal	Gasket, NBR
Mounting thread	1/4"-18 NPT
Locknut	Stainless Steel, Passivated
Receptacle mounting torque	3.5...6.2 Nm
Mechanical life	> 100 Mating cycles
Pollution degree	3
Protection class (When coupled)	IP67, IP68, IP69, IP69K
	NEMA: 1, 3, 4, 4X, 6P, 12
Total number of conductors	8
Conductor material	TC (tinned copper)
Conductor insulation material	PVC

EFKVQ-A8.800.4-x | 06/09/2023 15-11 | technical changes reserved

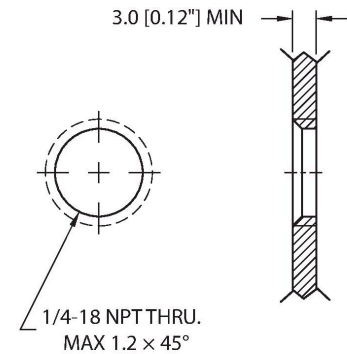
Technical data

Conductor size	24 AWG [Similar to 0.25 mm ²]
Conductor colors	WH, BN, GN, YL, GY, PK, BU, RD
Electrical properties at +20 °C	
Rated voltage	60 V _{AC} /75 V _{DC}
Current	3 A
Mechanical and chemical properties	
Ambient temperature range (static)	-40 °C...+105 °C
Approvals	UL 2238 CSA C22.2 No. 182.3 CE UKCA RoHS

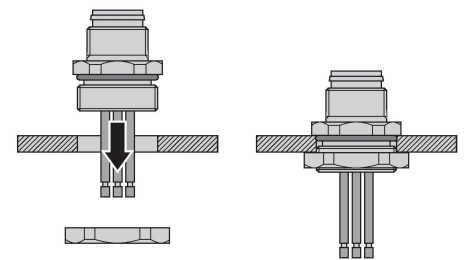
Note

- We reserve the right to make technical alterations without prior notice.

Mounting hole - Threaded



Front panel mounting



Accessories

M12-GASKET-PG9,M16,1/4NPT-(10/BAG) **100015009**

Gasket, Black NBR, Fits PG9, M16 and 1/4NPT mounting threads, 10 per bag

LOCKNUT-1/4NPT-316SS-(10/BAG) **100024934**

Locknut, 1/4NPT, 316 Stainless Steel, 10 per bag

DECAL,9-CLRS,RECEPT+BOXES,EURO(QTY1) **100008955**

1 decal sticker containing 9 different color sets of 11 decals to color code a sensor, junction block port, cable end, or receptacle. 5ct 4x9mm rectangles, 4ct 8x19mm rectangles, 1ct 27mm ID ring, 1ct 20mm ID ring.

ORING-Ø7x1.5-M12-(10/BAG) **100024937**

10 pack of Ø7x1.5 FKM O-rings for female M12 connectors