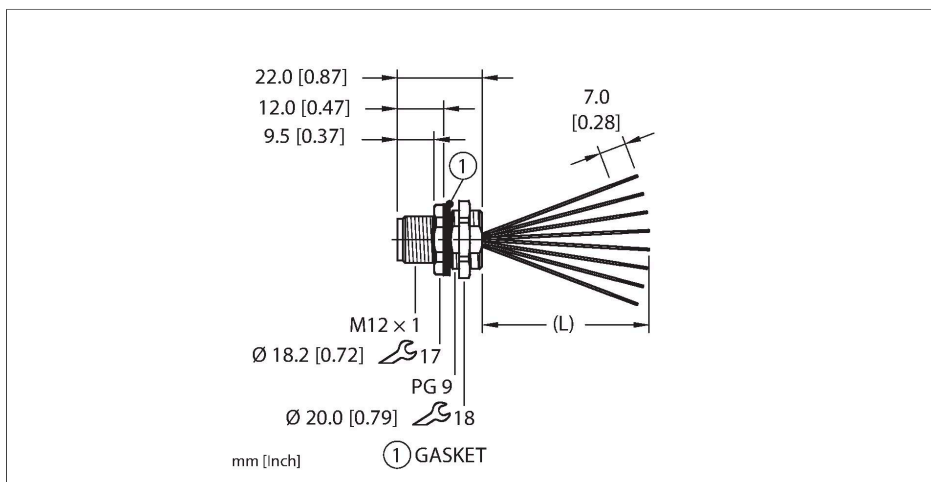


# EFSBH-A8.800.4-x

## Actuator and Sensor Receptacle – Front Mount



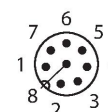
### Features



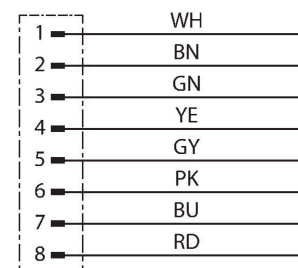
- M12, Male, Receptacle, Front mount, 8-pin
- Mounting thread: 1/2"-14 NPT

### Contact assignment

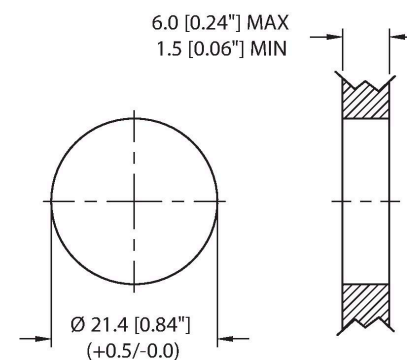
Connector A



### Circuit Diagram



### Mounting hole - Through



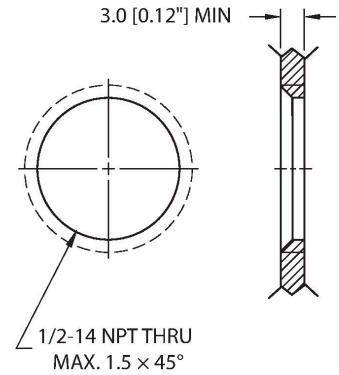
### Technical data

Type	EFSBH-A8.800.4-x
ID	777046934
Connector A	Male, M12 x 1, A-code
Design specification	Acc. to IEC 61076-2-101
Number of contacts	8
Contacts	Brass, CuZn, Gold-plated
Contact carriers	Plastic, TPU, Black
Housing material/finish	Brass, CuZn, Nickel-plated
Tightening torque (range)	0.4 ... 1.8 Nm (note max. torque of mating connector!)
Mounting orientation	Front mount
Panel seal	Gasket, NBR
Mounting thread	1/2"-14 NPT
Locknut	Brass, CuZn, Nickel-plated
Receptacle mounting torque	3.5...10.2 Nm
Mechanical life	> 100 Mating cycles
Pollution degree	3
Protection class (When coupled)	IP67, IP68, IP69, IP69K NEMA: 1, 3, 4, 6P, 12
Total number of conductors	8
Conductor material	TC (tinned copper)
Conductor insulation material	PVC
Conductor size	24 AWG [Similar to 0.25 mm <sup>2</sup> ]
Conductor colors	WH, BN, GN, YE, GY, PK, BU, RD

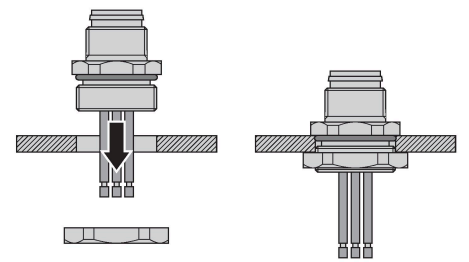
**Technical data**

Electrical properties at +20 °C	
Rated voltage	60 V <sub>AC</sub> /75 V <sub>DC</sub>
Current	3 A
Mechanical and chemical properties	
Ambient temperature range (static)	-40 °C...+105 °C
Approvals	UL 2238 CSA C22.2 No. 182.3 CE UKCA RoHS
Note	
- We reserve the right to make technical alterations without prior notice.	

**Mounting hole - Threaded**



**Front panel mounting**



**Accessories**

**DECAL,9-CLRS,RECEPT+BOXES,EURO(QTY1) 100008955**

1 decal sticker containing 9 different color sets of 11 decals to color code a sensor, junction block port, cable end, or receptacle. 5ct 4x9mm rectangles, 4ct 8x19mm rectangles, 1ct 27mm ID ring, 1ct 20mm ID ring.

**Accessories**

**LOCKNUT-1/2NPT-BRASS-(10/BAG) 100024931**

Locknut, 1/2NPT, Brass, Nickel-plated, 10 per bag

**M12-GASKET-M20,1/2NPT-(10/BAG) 100024930**

Gasket, Black NBR, Fits M20 and 1/2NPT mounting threads, 10 per bag

EFSBH-A8.800.4-x | 07/25/2023 22-31 | technical changes reserved