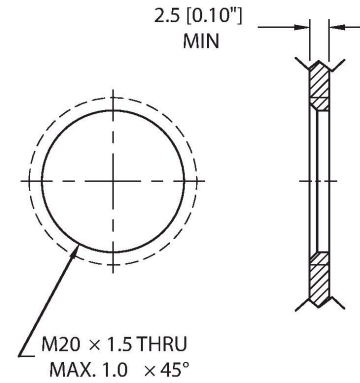




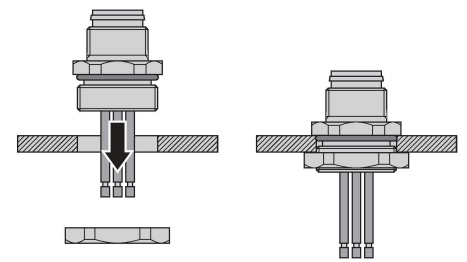
## Technical data

Conductor colors	WH, GN, YE, GY, BN, BU
<b>Electrical properties at +20 °C</b>	
Rated voltage	60 V <sub>AC</sub> /75 V <sub>DC</sub>
Current	2 A
<b>Mechanical and chemical properties</b>	
Ambient temperature range (static)	-40 °C...+105 °C
Approvals	UL 2238 CSA C22.2 No. 182.3 CE UKCA RoHS
<b>Note</b>	
- We reserve the right to make technical alterations without prior notice.	

## Mounting hole - Threaded



## Front panel mounting

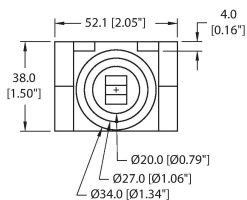


## Accessories

**DECAL,9-CLRS,RECEPT+BOXES,EURO(QTY1) 100008955**

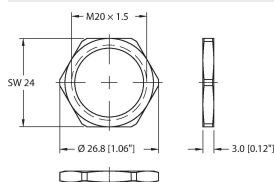


1 decal sticker containing 9 different color sets of 11 decals to color code a sensor, junction block port, cable end, or receptacle. 5ct 4x9mm rectangles, 4ct 8x19mm rectangles, 1ct 27mm ID ring, 1ct 20mm ID ring.



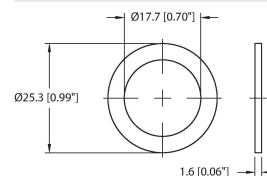
## Accessories

**LOCKNUT-M20-BRASS-(10/BAG) A3118**



Locknut, M20, Brass, Nickel-plated, 10 per bag

**M12-GASKET-M20,1/2NPT-(10/BAG) 100024930**



Gasket, Black NBR, Fits M20 and 1/2NPT mounting threads, 10 per bag