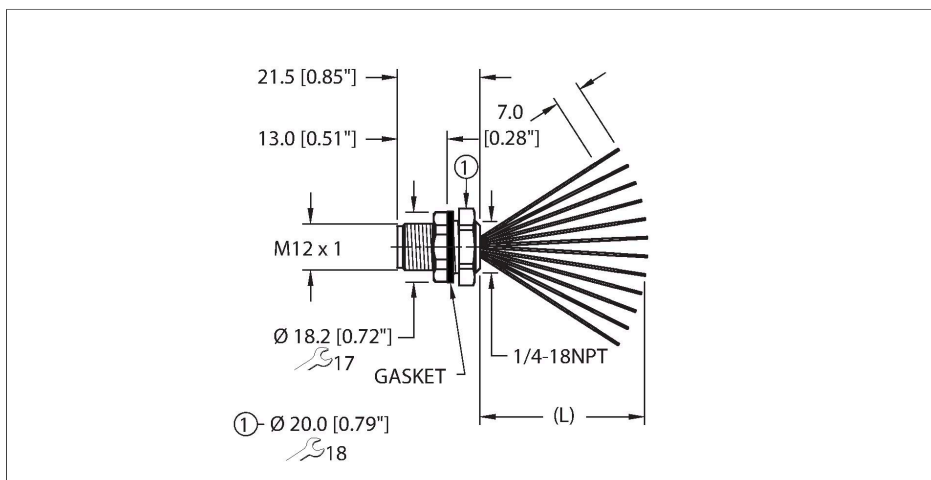


EFSVQ-12.1200.4-x

Actuator and Sensor Receptacle – Front Mount



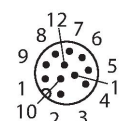
Features



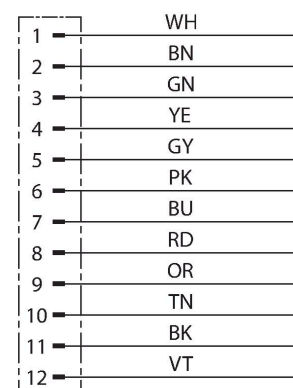
- M12, Male, Receptacle, Front mount, 12-pin
- Mounting thread: 1/4"-18 NPT

Contact assignment

Connector A



Circuit Diagram



Technical data

Type	EFSVQ-12.1200.4-x
ID	777046979
Replaces	FSV 12-x/18.25
Connector A	Male, M12 x 1, A-code
Design specification	Acc. to IEC 61076-2-101
Number of contacts	12
Contacts	Brass, CuZn, Gold-plated
Contact carriers	Plastic, TPU, Black
Housing material/finish	Stainless Steel, Passivated
Tightening torque (range)	0.4 ... 1.8 Nm (note max. torque of mating connector!)
Mounting orientation	Front mount
Panel seal	Gasket, NBR
Mounting thread	1/4"-18 NPT
Locknut	Stainless Steel, Passivated
Receptacle mounting torque	3.5...6.2 Nm
Mechanical life	> 100 Mating cycles
Pollution degree	3
Protection class (When coupled)	IP67, IP68, IP69, IP69K NEMA: 1, 3, 4, 4X, 6P, 12
Total number of conductors	12
Conductor material	TC (tinned copper)
Conductor insulation material	PVC
Conductor size	24 AWG [Similar to 0.25 mm ²]

Technical data

Conductor colors WH, BN, GN, YE, GY, PK, BU, RD, OR, TN, BK, VT

Electrical properties at +20 °C

Rated voltage 30 V_{AC}/42 V_{DC}

Current 2 A

Mechanical and chemical properties

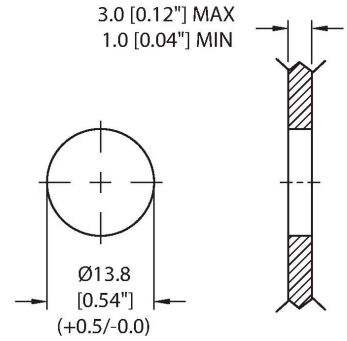
Ambient temperature range (static) -40 °C...+105 °C

Approvals
 UL 2238
 CSA C22.2 No. 182.3
 CE
 UKCA
 RoHS

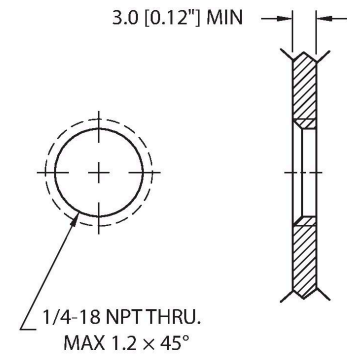
Note

- We reserve the right to make technical alterations without prior notice.

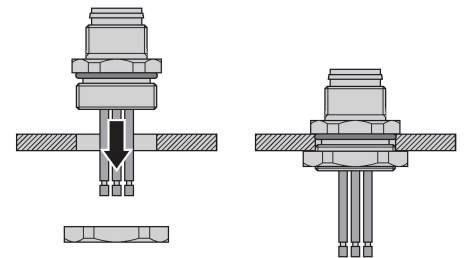
Mounting hole - Through



Mounting hole - Threaded



Front panel mounting



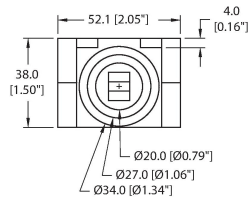
EFSVQ-12.1200.4-x| 06/28/2023 19-52 | technical changes reserved

Accessories

DECAL,9-CLRS,RECEPT+BOXES,EURO(QTY1) 10008955

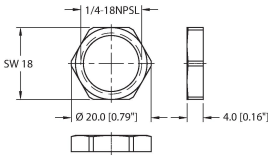


1 decal sticker containing 9 different color sets of 11 decals to color code a sensor, junction block port, cable end, or receptacle. 5ct 4x9mm rectangles, 4ct 8x19mm rectangles, 1ct 27mm ID ring, 1ct 20mm ID ring.



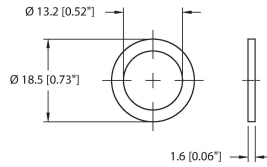
Accessories

LOCKNUT-1/4NPT-316SS-(10/BAG) 100024934



Locknut, 1/4NPT, 316 Stainless Steel, 10 per bag

M12-GASKET-PG9,M16,1/4NPT-(10/BAG) 100015009



Gasket, Black NBR, Fits PG9, M16 and 1/4NPT mounting threads, 10 per bag