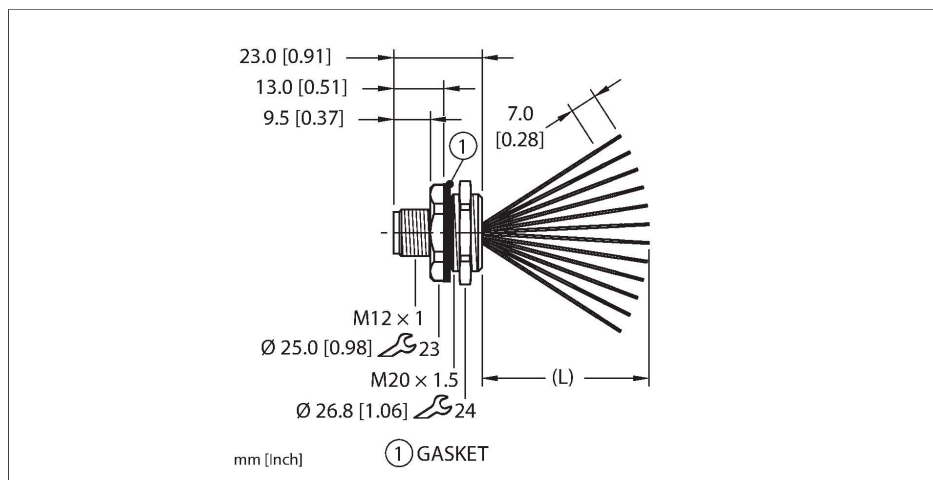


# EFSVT-12.1200.4-x

## Actuator and Sensor Receptacle – Front Mount



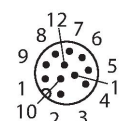
### Features



- M12, Male, Receptacle, Front mount, 12-pin
- Mounting thread: M20 × 1.5

### Contact assignment

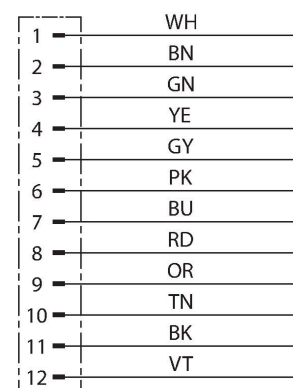
Connector A



### Technical data

Type	EFSVT-12.1200.4-x
ID	777046980
Replaces	FSV 12-x/M20
Connector A	Male, M12 × 1, A-code
Design specification	Acc. to IEC 61076-2-101
Number of contacts	12
Contacts	Brass, CuZn, Gold-plated
Contact carriers	Plastic, TPU, Black
Housing material/finish	Stainless Steel, 1.4401 (AISI 316), Passivated
Tightening torque (range)	0.4 ... 1.8 Nm (note max. torque of mating connector!)
Mounting orientation	Front mount
Panel seal	Gasket, NBR
Mounting thread	M20 × 1.5
Locknut	Stainless Steel, 1.4401 (AISI 316), Passivated
Receptacle mounting torque	3.5...9.6 Nm
Mechanical life	> 100 Mating cycles
Pollution degree	3
Protection class (When coupled)	IP67, IP68, IP69, IP69K NEMA: 1, 3, 4, 4X, 6P, 12
Total number of conductors	12
Conductor material	TC (tinned copper)
Conductor insulation material	PVC

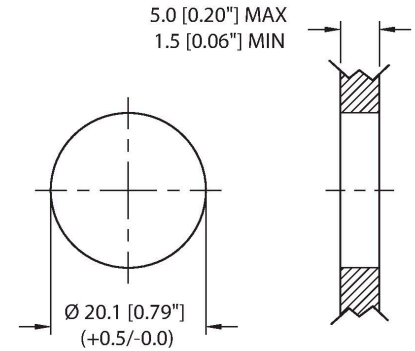
### Circuit Diagram



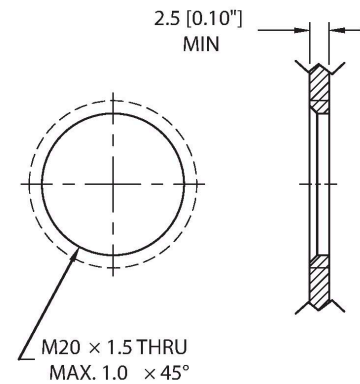
## Technical data

Conductor size	24 AWG [Similar to 0.25 mm <sup>2</sup> ]
Conductor colors	WH, BN, GN, YE, GY, PK, BU, RD, OR, TN, BK, VT
<b>Electrical properties at +20 °C</b>	
Rated voltage	30 V <sub>AC</sub> /42 V <sub>DC</sub>
Current	2 A
<b>Mechanical and chemical properties</b>	
Ambient temperature range (static)	-40 °C...+105 °C
Approvals	UL 2238 CSA C22.2 No. 182.3 CE UKCA RoHS
<b>Note</b>	
- We reserve the right to make technical alterations without prior notice.	

### Mounting hole - Through



### Mounting hole - Threaded



### Front panel mounting

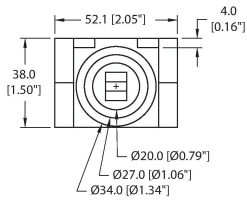


Accessories

**DECAL,9-CLRS,RECEPT+BOXES,EURO(QTY1) 100008955**

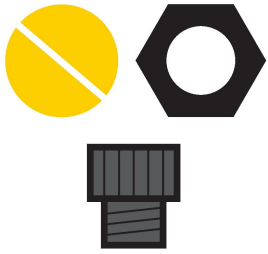


1 decal sticker containing 9 different color sets of 11 decals to color code a sensor, junction block port, cable end, or receptacle. 5ct 4x9mm rectangles, 4ct 8x19mm rectangles, 1ct 27mm ID ring, 1ct 20mm ID ring.



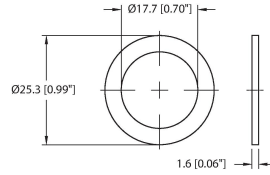
Accessories

**LOCKNUT-M20-316SS-(10/BAG) A9194**



Locknut, M20, 316 Stainless Steel, 10 per bag

**M12-GASKET-M20,1/2NPT-(10/BAG) 100024930**



Gasket, Black NBR, Fits M20 and 1/2NPT mounting threads, 10 per bag