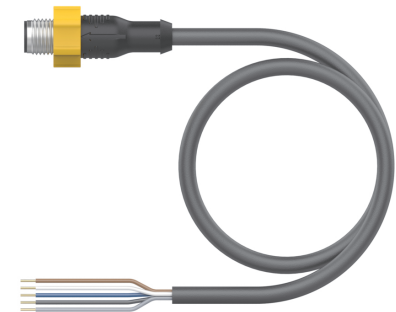
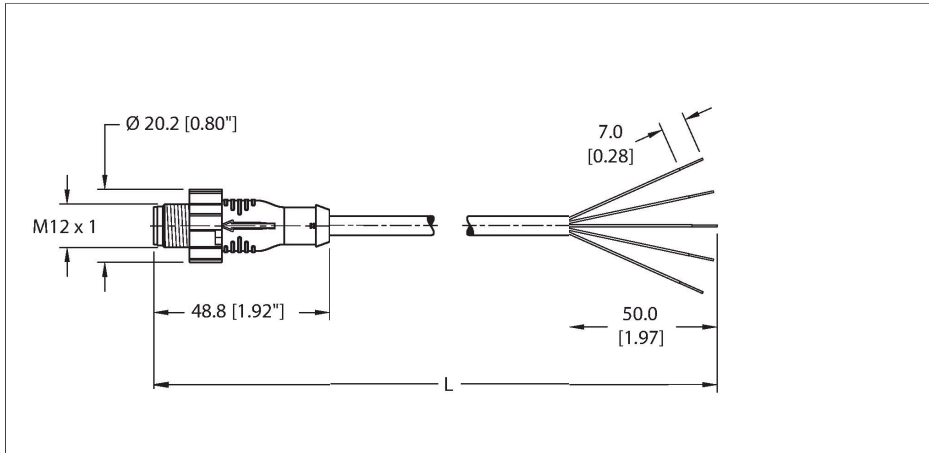


# ESRT-A5.500-GC2K-2

## Actuator and Sensor Cordset – Connection Cable



### Technical data

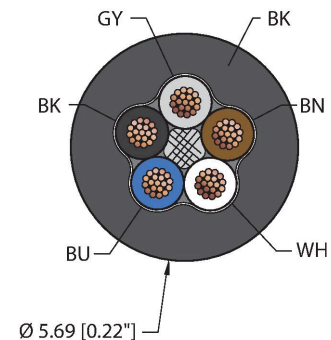
|                                 |                                                           |
|---------------------------------|-----------------------------------------------------------|
| Type                            | ESRT-A5.500-GC2K-2                                        |
| ID                              | UX19115                                                   |
| Replaces                        | RS 4.5T-x                                                 |
| Connector A                     | Male, M12 × 1, Straight, A-code                           |
| Design specification            | Acc. to IEC 61076-2-101                                   |
| Number of contacts              | 5                                                         |
| Contacts                        | Bronze, CuSn, Gold-plated                                 |
| Contact carriers                | Plastic, TPU, Black                                       |
| Connector body                  | Plastic, TPU, Black                                       |
| Coupling nut                    | Brass, CuZn, Nickel-plated                                |
| Torque sleeve                   | Plastic, PA, Yellow                                       |
| Tightening torque (range)       | 0.4 ... 1.8 Nm<br>(note max. torque of mating connector!) |
| Mechanical life                 | > 100 Mating cycles                                       |
| Pollution degree                | 3                                                         |
| Protection class (When coupled) | IP67, IP68, IP69, IP69K<br>NEMA: 1, 3, 4, 6P, 12          |
| <b>Cable data</b>               |                                                           |
| Cable ID                        | RF50982                                                   |
| Total number of conductors      | 5                                                         |
| Cable diameter                  | Ø 5.69 mm                                                 |
| Length (L)                      | 2 m, (+50mm or 4% of length/-0.0, Whichever is greater)   |
| Cable jacket                    | PVC, Black                                                |
| Conductor diameter              | 0.054 "                                                   |

### Features



- M12, Male, Straight, 5-pin, Torque sleeve
- Instrumentation Tray Cable
- Black PVC jacket, 5X22 AWG
- Sunlight Resistant
- -40 Cold Bend Rating
- Oil Resistant
- Flame Ratings: UL 1685 FT4, UL1061, CSA FT4
- Flexlife® and C-Track Approved

### Cable cross section



### Contact assignment

ESRT-A5.500-GC2K-2 | 12/03/2022 17-16 | technical changes reserved

## Technical data

|                               |                                               |
|-------------------------------|-----------------------------------------------|
| Conductor material            | TC (tinned copper)                            |
| Conductor insulation material | PVC                                           |
| Conductor size                | 5 x 22 AWG [Similar to 0.34 mm <sup>2</sup> ] |
| Number of strands x O.D.      | 19 x 0.0058 "                                 |
| Conductor colors              | BN, WH, BU, BK, GY                            |

### Electrical properties at +20 °C

|               |                                          |
|---------------|------------------------------------------|
| Rated voltage | 250 V <sub>AC</sub> /300 V <sub>DC</sub> |
| Current       | 4 A                                      |

### Mechanical and chemical properties

|                          |                    |
|--------------------------|--------------------|
| Bending radius (static)  | ≥ 5 x Ø            |
| Bending radius (dynamic) | ≥ 10 x Ø           |
| UL cold bend rating      | -40 °C             |
| Flex rating 20 x Ø       | 10 million cycles* |

\*When properly installed @ 20°C, 50%RH, and a cycle speed of ≤0.5 cycles per second.

|                                     |                  |
|-------------------------------------|------------------|
| C-Track                             | Yes              |
| Ambient temperature range (static)  | -40 °C...+105 °C |
| Ambient temperature range (dynamic) | 5 °C...+105 °C   |
| Temperature range (installation)    | -10 °C...+105 °C |

### Approval

|           |                                                      |
|-----------|------------------------------------------------------|
| Approvals | UL 2238<br>CSA C22.2 No. 182.3<br>CE<br>UKCA<br>RoHS |
|-----------|------------------------------------------------------|

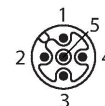
### Note

- Flex ratings may be reduced if used in extreme temperatures, exposure to certain chemicals, operating above the rated cycle speed, or operating below the rated cable bend radius.

- The torque sleeve can be removed, before or after installation by inserting a small flat screwdriver near the relief by the arrow and prying.

- We reserve the right to make technical alterations without prior notice.

Connector A



### Circuit Diagram



## Accessories

### M12-TORQUE-SLEEVE,YELLOW(10PACK)

A900167



10 Pack of Yellow Torque Sleeves for the new M12 cordsets. Compatible with male, female, straight and right-angled, stainless steel and nickel-plated brass coupling nuts.

### TORQUE-WRENCH-SET-M12/SW13

A900152



Adjustable torque driver to connect to the 13mm hex. Compatible with redesigned M12 cordsets, M12 Power, and M12 X-code. NOT Compatible with legacy M12 cordsets. Includes (1) adjustable torque driver, (1) adjustment tool, and (1) 13mm forked bit.

## Accessories

### M12-CORDSETS-MOUNTING-CLIP-(10/BAG)

100016882



10 Pack of black mounting clips and M4x8mm mounting screws, used to secure cable to cable connection points.